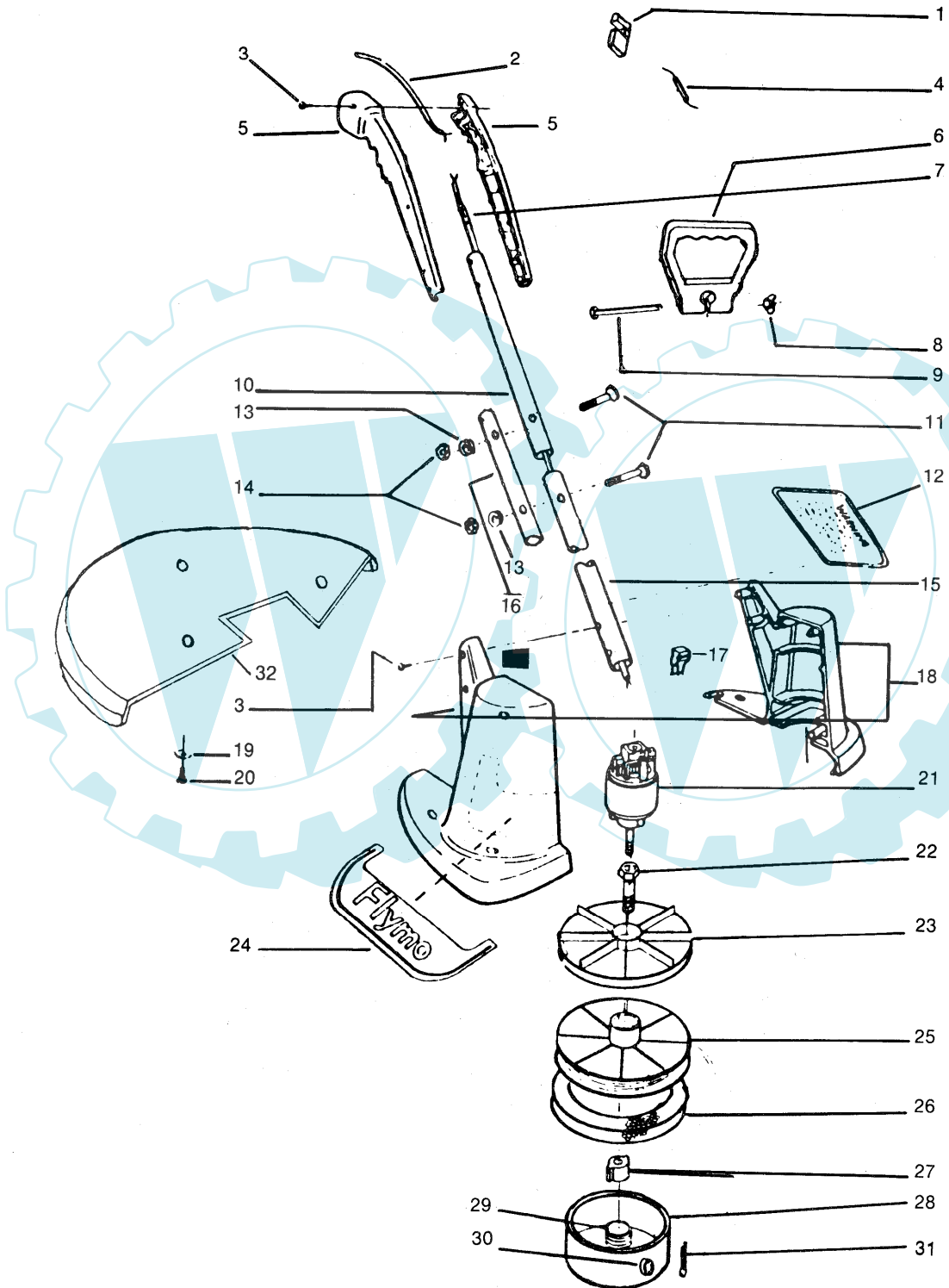


**Flymo**

**ZLE-01 9645130**





# ZLE-01 9645130

KEY No.	PART No.	DESCRIPTION	QUANTITY	COMMENTS/ APPLICATION
1	5146766-00/0	SWITCH	1	
2	5147001-07/6	LEAD TERMINAL 15.24M×1mm	1	EARLY PRODUCED PRODUCTS
	5146765-00/2	LEAD TERMINAL	1	GB.NLA USE 5136621-00/9
3	5141801-00/0	SCREW	12	
4	5146943-00/5	CAPACITOR	1	
5	5141802-00/8	HANDLE LH/RD COMPLETE	1	
6	5141805-00/1	HANDLE ASSIST	1	
7	5141823-00/4	HARNESS	1	
8	5146783-00/5	NUT WING	1	
9	5146781-00/9	SCREW	1	
10	5141800-00/2	HANDLE TUBE UPPER	1	
11	5141807-00/7	SCREW	2	
12	5146755-00/3	LABEL WARNING TRIMMER	1	GB.
	5146756-00/1	WARNING LABEL TRIMMER	1	D.
	5146757-00/9	LABEL WARNING TRIMMER	1	I. NO LONGER AVAILABLE
	5146758-00/7	LABEL WARNING TRIMMER	1	F.
	5146759-00/5	LABEL WARNING TRIMMER	1	NL.
13	5141808-00/5	NUT HEXAGON	2	
14	5146816-00/3	WASHER (SPRING)	2	
15	5141803-00/6	HANDLE TUBE LOWER	1	
16	5141804-00/4	OUTER TUBE	1	
17	5146812-00/2	RETAINER BLADE	1	
18	5141820-00/0	HOUSING L & R ORANGE	1	
19	5141822-00/6	WASHER	3	NOT FITTED IN UK
20	5141821-00/8	SCREW	3	NOT FITTED IN UK
21	5141809-00/3	MOTOR & HEAD ASSY	1	
22	5141812-00/7	ADAPTOR	1	
23	5141813-00/5	FAN	1	
24	5136314-00/1	LABEL FLYMO	1	NO LONGER AVAILABLE
25	5141817-00/6	SPOOL & LINE	1	
26	5141818-00/4	FOAM PAD	1	
27	5141810-00/1	ADAPTOR NUT	1	
27A	5141815-00/0	O-RING	1	NOT ILLUSTRATED
28	5141811-00/9	RETAINER	1	
29	5141819-00/2	SPRING	1	
30	5141814-00/3	EYELET	1	
31	5146946-00/8	PIN COTTER	1	
32	5141824-00/2	GUARD ORANGE	1	NOT FITTED IN UK

## PRODUCT VARIANT

9645130-01 GB

9645130-12 D-I

9645130-14 F-B-L

Where no application details are shown the part applies to all countries.